

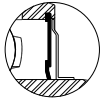
# UCPX 00 SERIES

Medium-Duty Pillow Block  
Setscrew Lock

# TURNER

Mounted Bearings

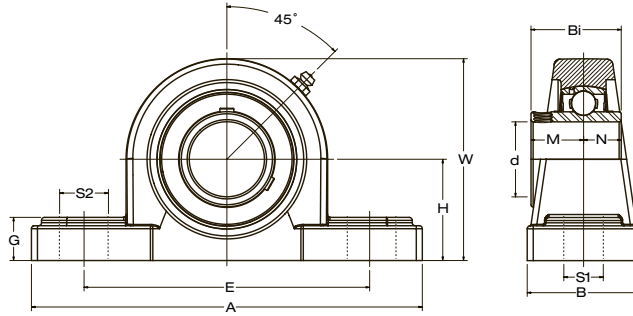
Available Seal Styles:



Standard



L3



Bearing Number	Shaft Dia. d in. mm.	Dimensions in. mm.											Bolt Used in. mm.	Load Rating lbs. kN.		Bearing Insert	Housing Number	Weight lbs. kg.		
		H	A	E	B	S2	S1	G	W	Bi	N	M		Dynamic C <sub>r</sub>	Static C <sub>0r</sub>					
UCPX 05-14	7/8																	UCX 05-14	PX 05	3.1 1.4
UCPX 05-15	15/16	1.750	6.25	4.69	2.00	0.98	0.56	0.71	3.38	1.5000	0.6260	0.8740	1/2	4,377	2,569	UCX 05-15				
UCPX 05	25	44.5	159.0	119.0	51.0	25.0	14.2	18.0	85.0	38.1	15.9	22.2	M12	19.47	11.43	UCX 05				
UCPX 05-16	1																	UCX 05-16	PX 06	4.1 1.9
UCPX 06-18	1 1/8																	UCX 06-18		
UCPX 06	30	1.875	6.89	5.00	2.25	0.98	0.56	0.79	3.69	1.6890	0.6890	1.0000	1/2	5,775	3,497	UCX 06				
UCPX 06-19	1 3/16	47.6	175.0	127.0	57.0	25.0	14.2	20.0	94.0	42.9	17.5	25.4	M12	25.69	15.56	UCX 06-19	UCX 06-20			
UCPX 06-20	1 1/4																			
UCPX 07-22	1 3/8																	UCX 07-22	PX 07	5.3 2.4
UCPX 07	35	2.125	8.00	5.69	2.25	1.18	0.56	0.88	4.13	1.9370	0.7480	1.1890	1/2	6,634	4,079	UCX 07				
UCPX 07-23	1 7/16	54.0	203.0	144.0	57.0	30.0	14.2	22.0	105.0	49.2	19.0	30.2	M12	29.51	18.14	UCX 07-23				
UCPX 08-24	1 1/2	2.313	8.75	6.13	2.63	1.25	0.59	1.00	4.44	1.9370	0.7480	1.1890	1/2	7,160	4,676	UCX 08-24	PX 08	6.6 3.0		
UCPX 08	40	58.7	222.0	156.0	67.0	32.0	15.0	26.0	113.0	49.2	19.0	30.2	M14	31.85	20.80	UCX 08				
UCPX 09-26	1 5/8																	UCX 09-26	PX 09	7.3 3.3
UCPX 09-27	1 11/16	2.313	8.75	6.13	2.63	1.31	0.72	1.00	4.56	2.0315	0.7480	1.2835	5/8	7,867	5,330	UCX 09-27				
UCPX 09-28	1 3/4	58.7	222.0	156.0	67.0	33.0	18.3	26.0	116.0	51.6	19.0	32.6	M16	35.00	23.71	UCX 09-28				
UCPX 09	45																	UCX 09		
UCPX 10-30	1 7/8																	UCX 10-30	PX 10	9.0 4.1
UCPX 10-31	1 15/16	2.500	9.50	6.75	2.88	1.44	0.72	1.06	4.94	2.1890	0.8740	1.3150	5/8	9,743	6,608	UCX 10-31				
UCPX 10	50	63.5	241.0	171.0	73.0	36.0	18.3	27.0	126.0	55.6	22.2	33.4	M16	43.34	29.40	UCX 10				
UCPX 10-32	2																	UCX 10-32		
UCPX 11-34	2 1/8																	UCX 11-34	PX 11	12.8 5.8
UCPX 11	55	2.750	10.25	7.25	3.13	1.44	0.78	1.19	5.50	2.5630	1.0000	1.5630	5/8	10,720	7,516	UCX 11				
UCPX 11-35	2 3/16	69.9	260.0	184.0	79.0	36.0	19.8	30.0	139.0	65.1	25.4	39.7	M18	47.69	33.43	UCX 11-35				
UCPX 11-36	2 1/4																	UCX 11-36		
UCPX 12	60	3.000	11.25	8.00	3.25	1.63	0.81	1.25	5.94	2.5630	1.0000	1.5630	5/8	12,859	8,994	UCX 12	PX 12	14.8 6.7		
UCPX 12-38	2 3/8	76.2	286.0	203.0	83.0	41.0	20.4	32.0	151.0	65.1	25.4	39.7	M18	57.20	40.01	UCX 12-38				
UCPX 12-39	2 7/16																			UCX 12-39
UCPX 13-40	2 1/2	3.000	11.25	8.00	3.25	1.63	0.81	1.25	6.06	2.9370	1.1890	1.7480	5/8	13,981	9,869	UCX 13-40	PX 13	15.9 7.2		
UCPX 13	65	76.2	286.0	203.0	83.0	41.0	20.4	32.0	154.0	74.6	30.2	44.4	M18	62.19	43.90	UCX 13				
UCPX 14-43	2 11/16	3.500	13.00	9.00	3.50	2.00	1.06	1.38	6.75	3.0630	1.3110	1.7520	7/8	14,974	10,757	UCX 14-43	PX 14	20.9 9.5		
UCPX 14	70	88.9	330.0	229.0	89.0	51.0	27.0	35.0	172.0	77.8	33.3	44.5	M22	66.61	47.85	UCX 14				
UCPX 15-47	2 15/16																	UCX 15-47	PX 15	22.0 10.0
UCPX 15	75	3.500	13.00	9.00	3.50	2.00	1.06	1.38	7.00	3.2520	1.3110	1.9409	7/8	16,325	11,992	UCX 15				
UCPX 15-48	3	88.9	330.0	229.0	89.0	51.0	27.0	35.0	177.0	82.6	33.3	49.3	M22	72.62	53.35	UCX 15-48				
UCPX 17	85	4.000	15.00	11.13	4.00	2.31	1.06	1.65	7.94	3.7795	1.5630	2.2165	7/8	21,546	16,329	UCX 17	PX 17	33.9 15.4		
UCPX 17-55	3 7/16	101.6	381.0	283.0	102.0	59.0	27.0	42.0	202.0	96.0	39.7	56.3	M22	95.84	72.64	UCX 17-55				
UCPX 17-56	3 1/2																			UCX 17-56
UCPX 20	100	5.000	17.00	13.25	4.00	2.00	1.13	1.81	9.88	4.6260	1.9370	2.3740	1	29,339	23,141	UCX 20	PX 20	66.2 30.1		
UCPX 20-63	3 15/16	127.0	432.0	337.0	102.0	51.0	29.0	46.0	250.0	117.5	49.2	60.3	M24	130.51	102.94	UCX 20-63				
UCPX 20-64	4																			UCX 20-64